

PLAYSEAT[®]
Racing



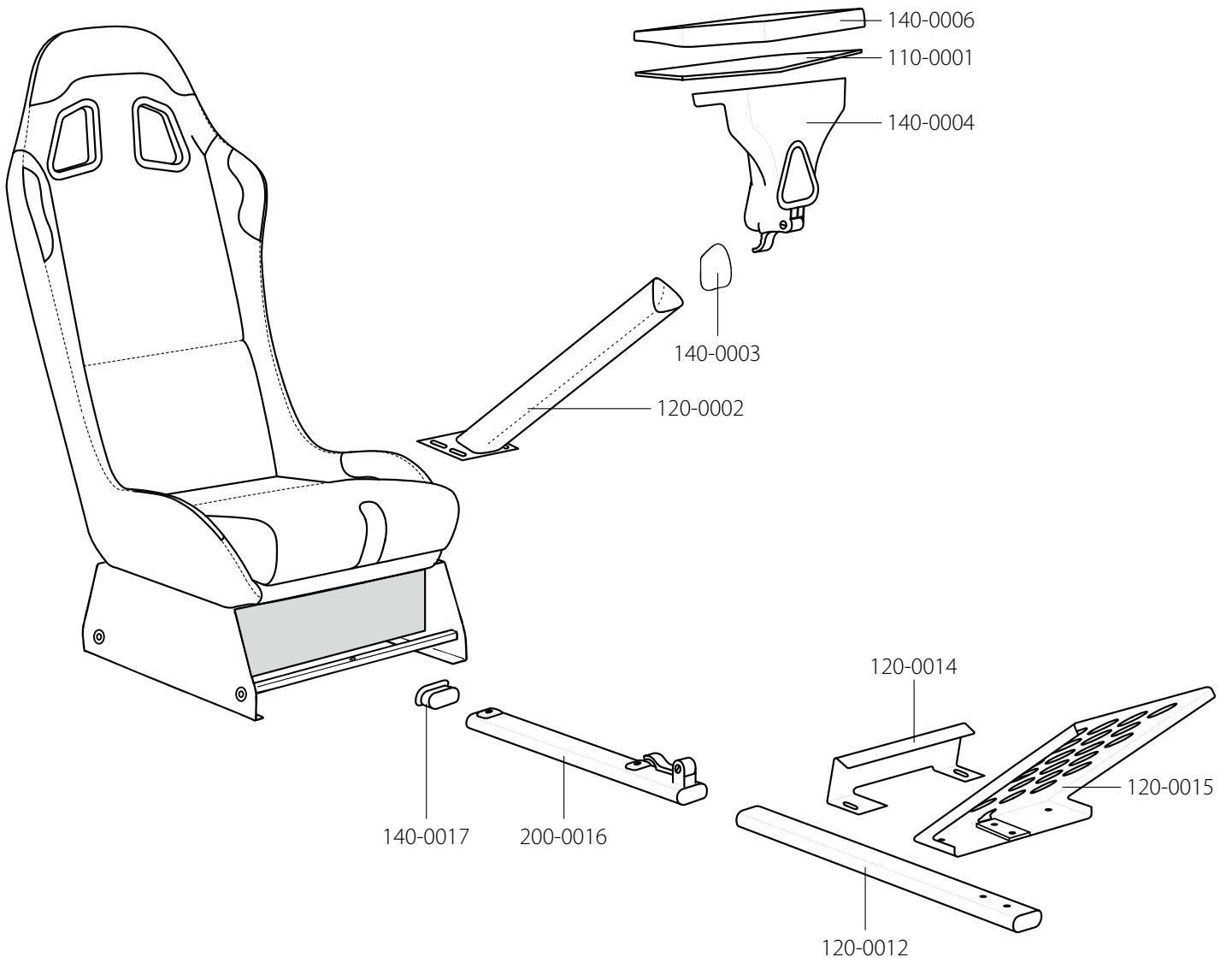
SV

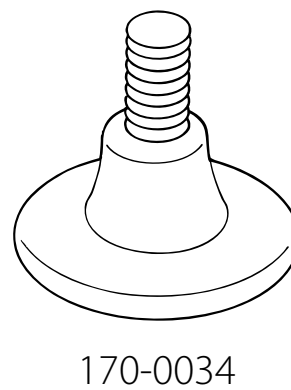
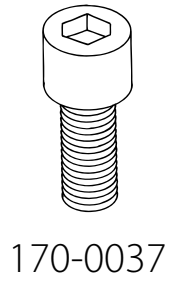
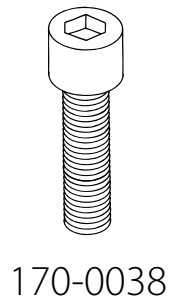
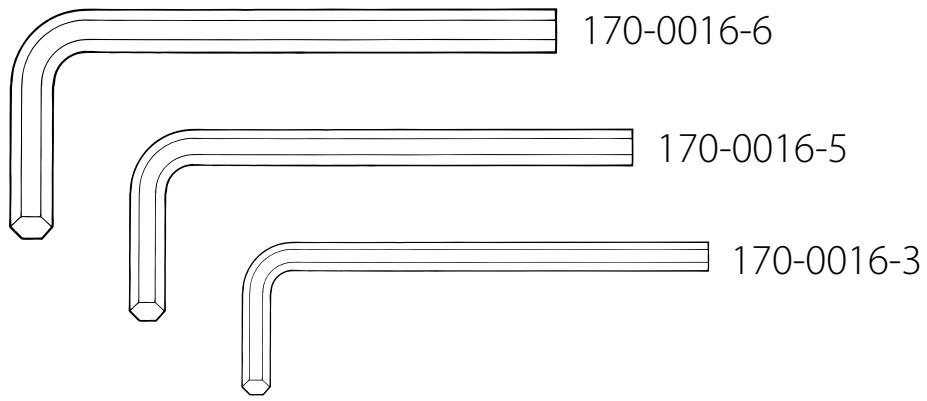
OWNER'S MANUAL

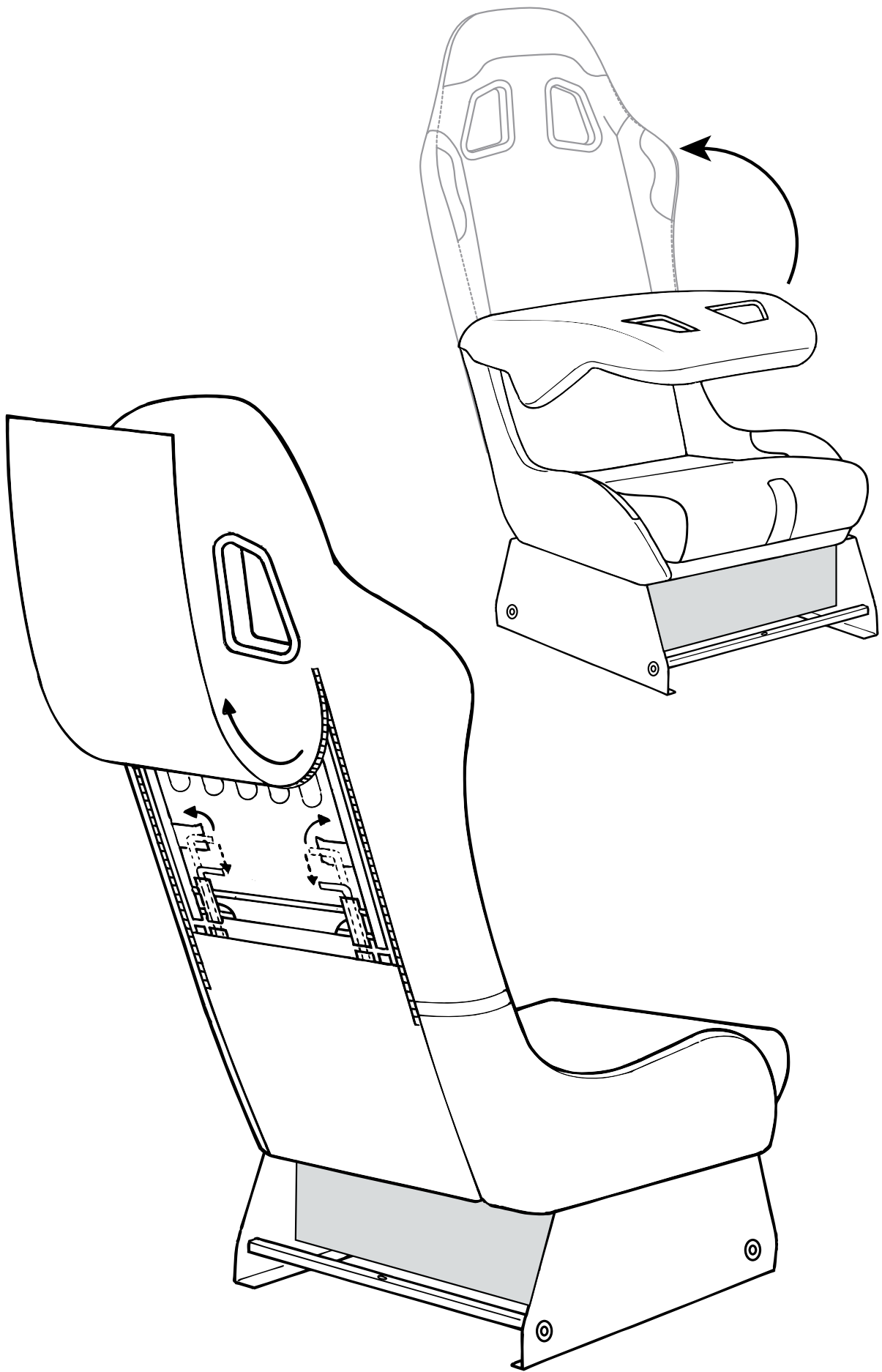
**Read and understand this entire manual
before use of this product!**

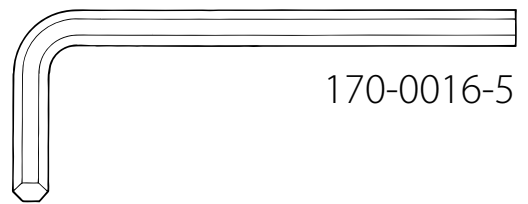
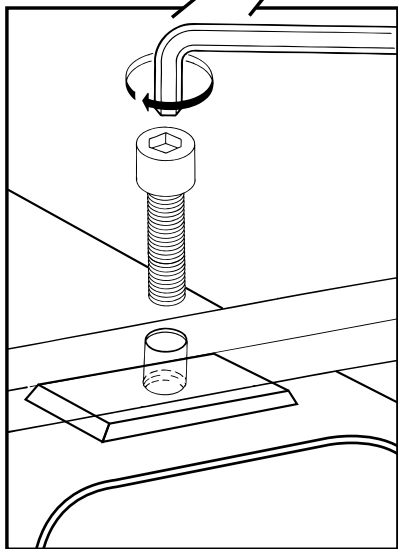
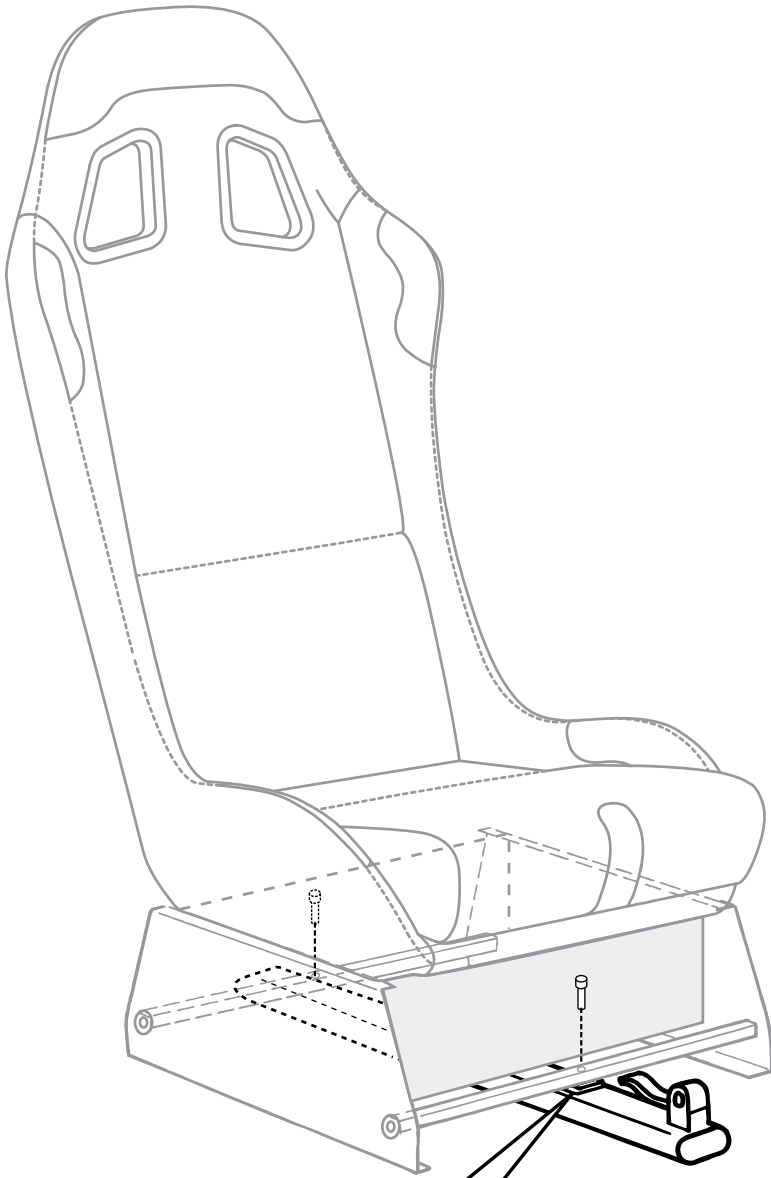
For assistance please contact Playseat direct. DO NOT RETURN TO STORE.

NOTE: Manual illustrations are for demonstration purposes only. Illustrations may not reflect exact appearance of actual product. Specifications subject to change without notice.



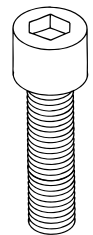




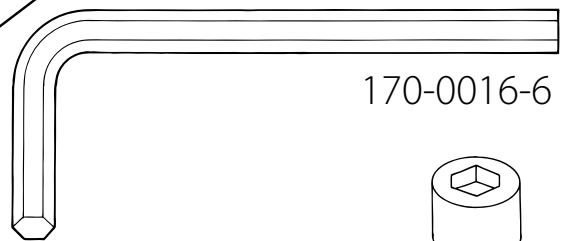
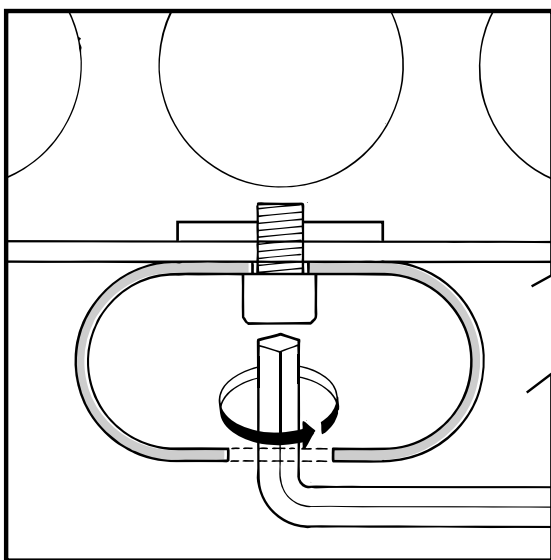
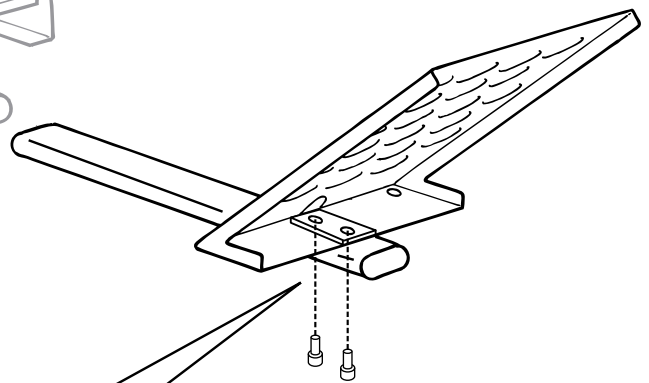


170-0016-5

2 x

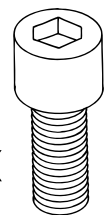


170-0038

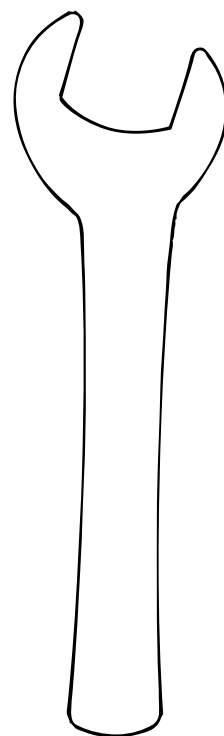


170-0016-6

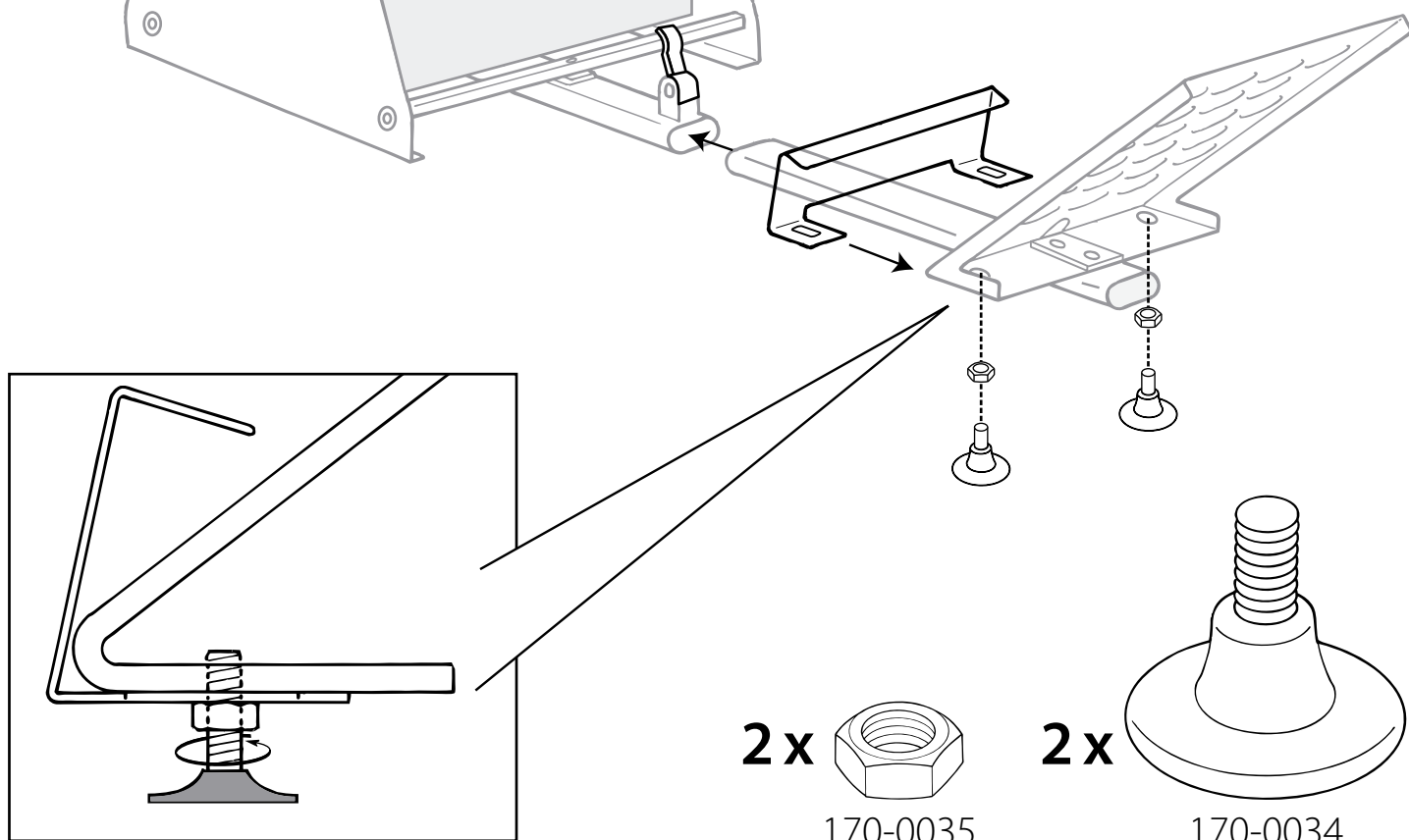
2 x



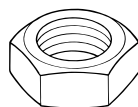
170-0037



170-0021

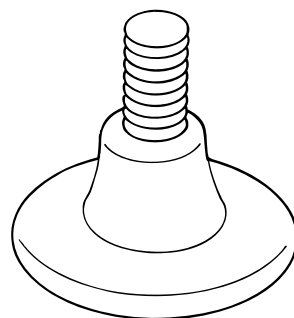


2 x

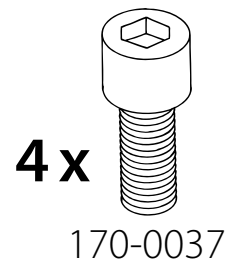
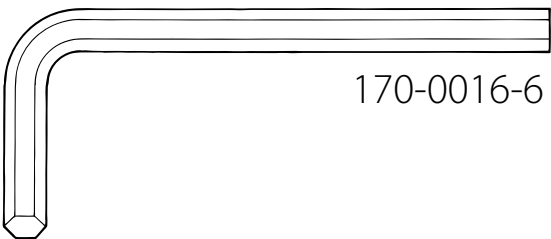
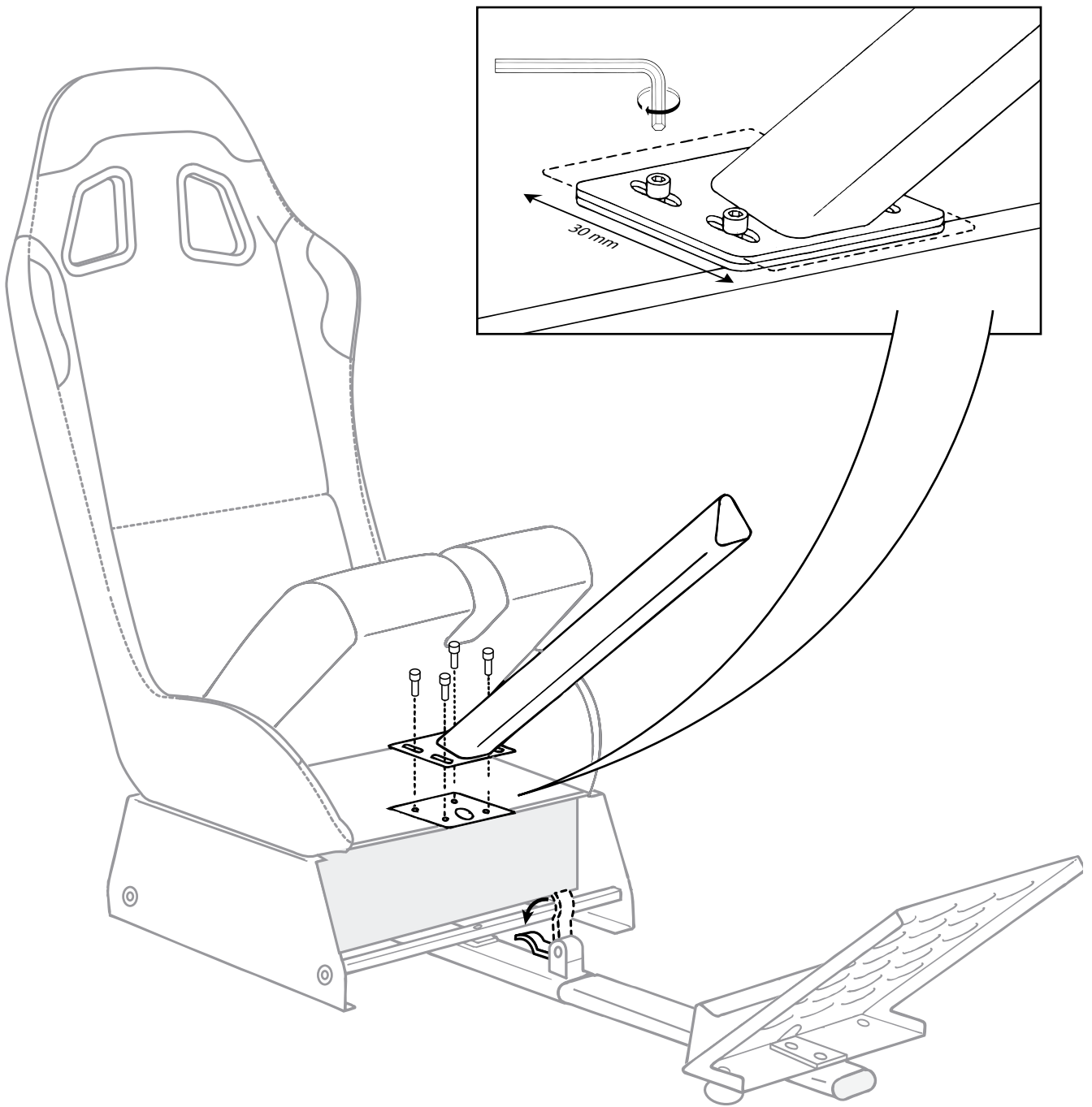


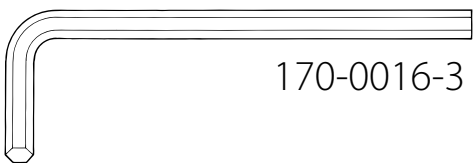
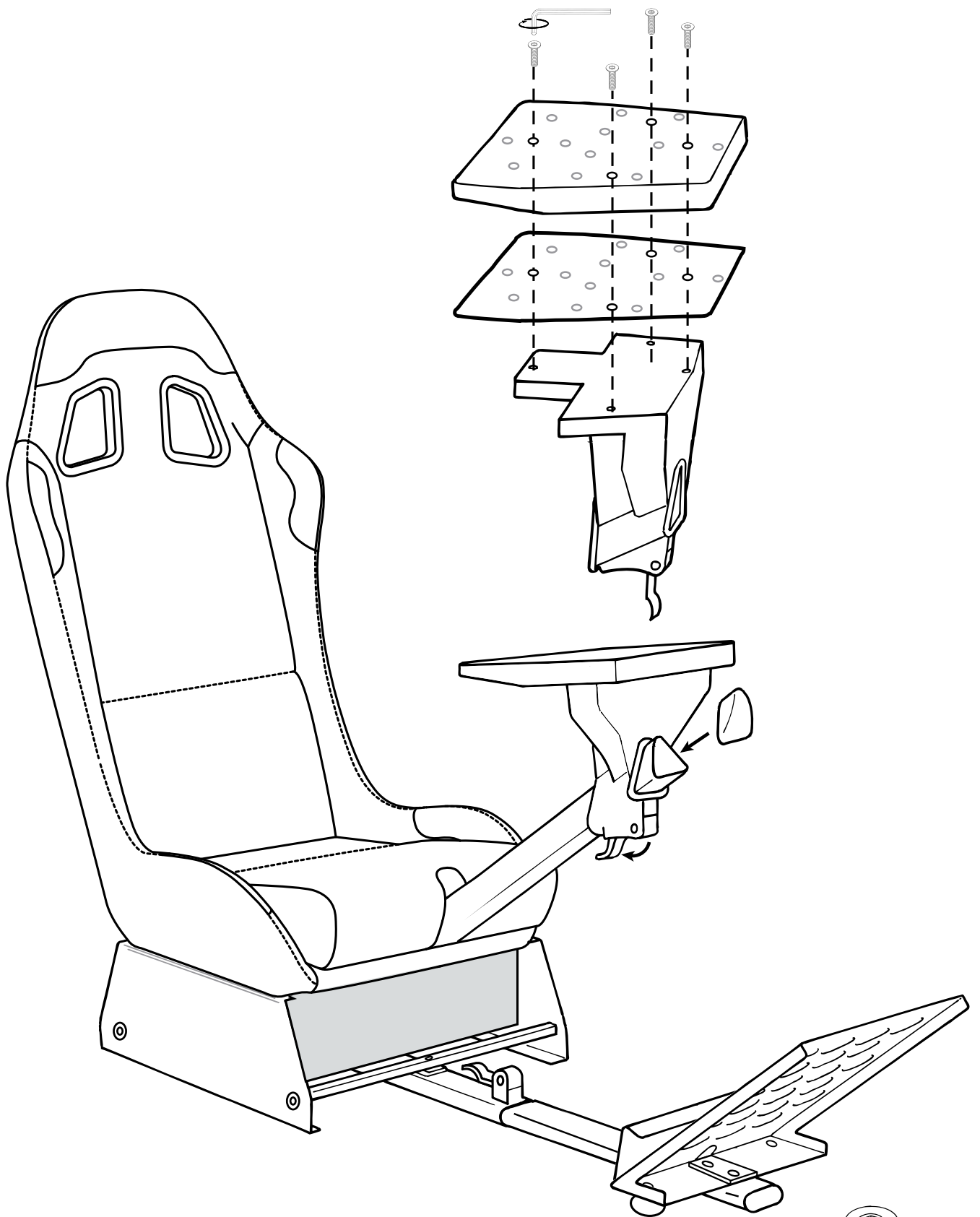
170-0035

2 x



170-0034







GUARANTEE

Thank you for purchasing this product!

Playseat guarantees this product to be free from defects in material and workmanship for a period of 90 days from time of its original purchase. Should such a defect occur during this period of guarantee, we shall repair or replace the product, or the defective part(s) thereof, free of charge. The decision as to the nature of such repair or replacement remains at the sole discretion of Playseat.

This guarantee does not affect the consumer's statutory rights under applicable national laws.

This guarantee is valid:

- This guarantee is valid only upon presentation of the original proof of purchase and valid guarantee certificate, bearing the date of purchase and name of the retailer or supplier, together with the defective product. These documents are invalid if damaged or altered.

This guarantee is invalid if the product has been damaged as a result of any of the following.

- Commercial use (including rental or hire), accident, normal wear and tear or misuse. This shall include, but not be confined to, negligence in the use of the product for its intended purpose, failure to correctly follow the instructions for its use, maintenance or installation, and use of the product in any way which contravenes applicable local technical or safety standards.

- Any modification or change of any kind to the product for any reason whatsoever, and whether or not properly carried out.

Where permitted under applicable law, this guarantee constitutes your sole and exclusive legal resort in the event of breach of contract or breach of terms and conditions of supply, explicit or implicit, with respect to this product, and neither Playseat's nor its agents or suppliers shall be liable for any incidental or consequential loss not covered herein.

Purchaser's Name:

Address:

Date of Purchase:

Shop's Name & Address:

Serial Number:

Art. No:

PLAYSEAT
Racing

www.playseat.com